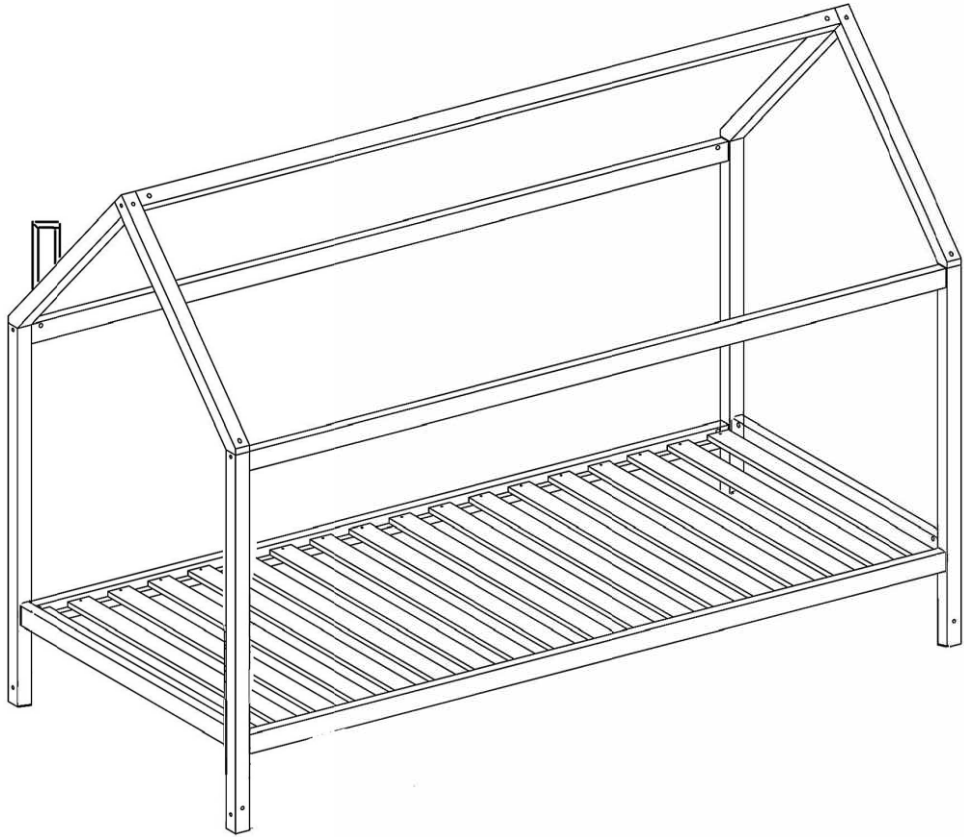
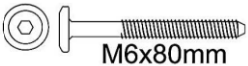

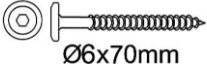
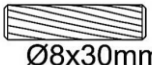




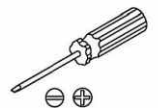


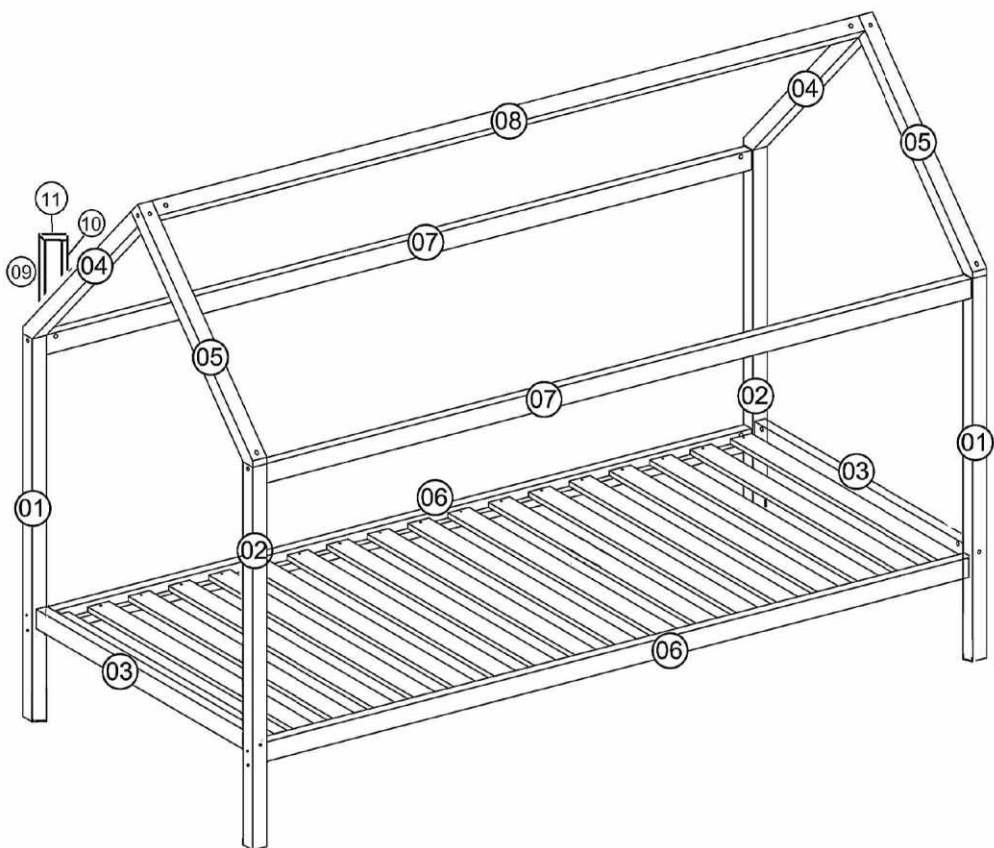
ATIMAD



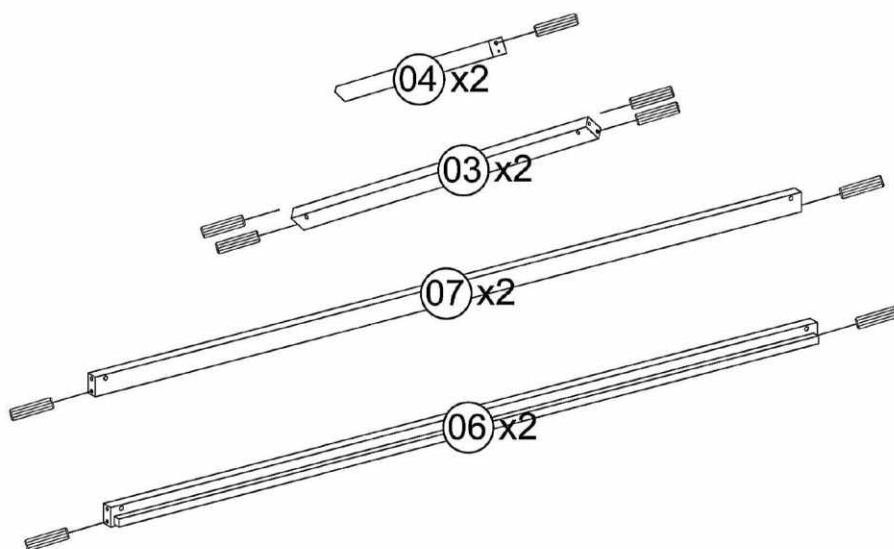
A	 M6x80mm	18
B	 M6	18
C	 Ø6x70mm	06
D	 Ø8x30mm	18

E	 Ø4x30mm	36
F	 Φ4mm	01
G	 Ø5x60mm	04
H	 Ø15mm	18

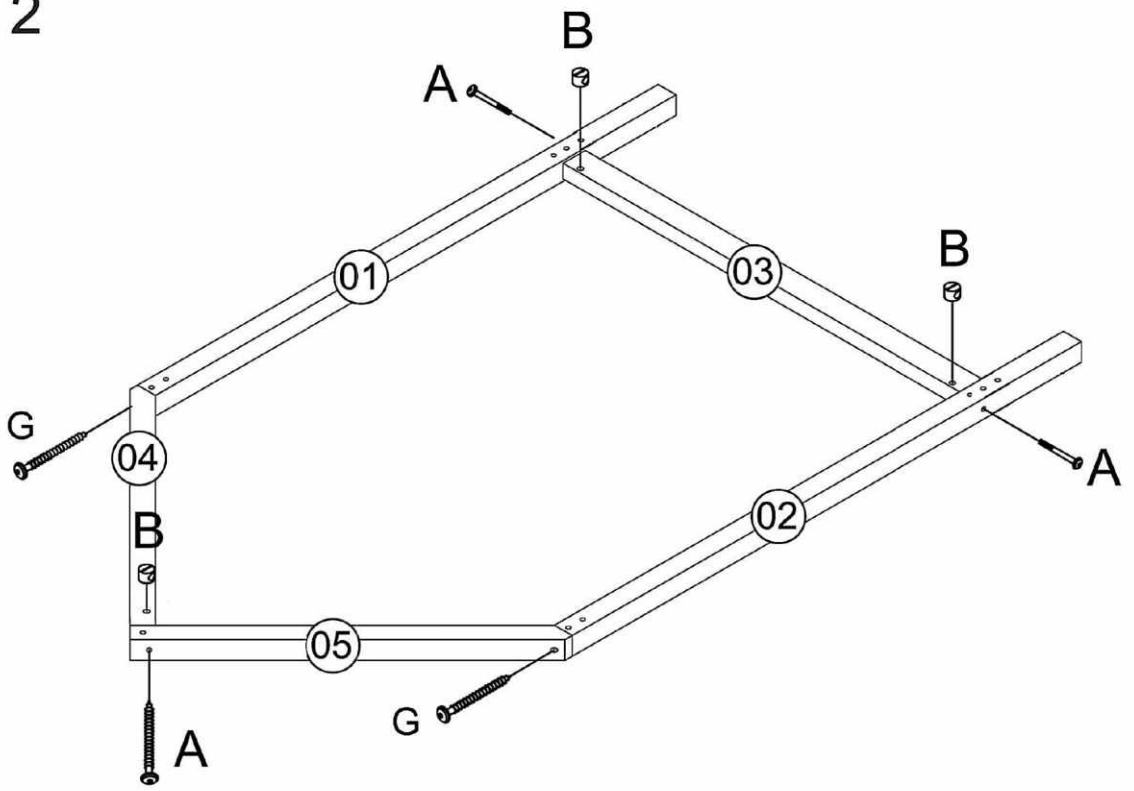







1

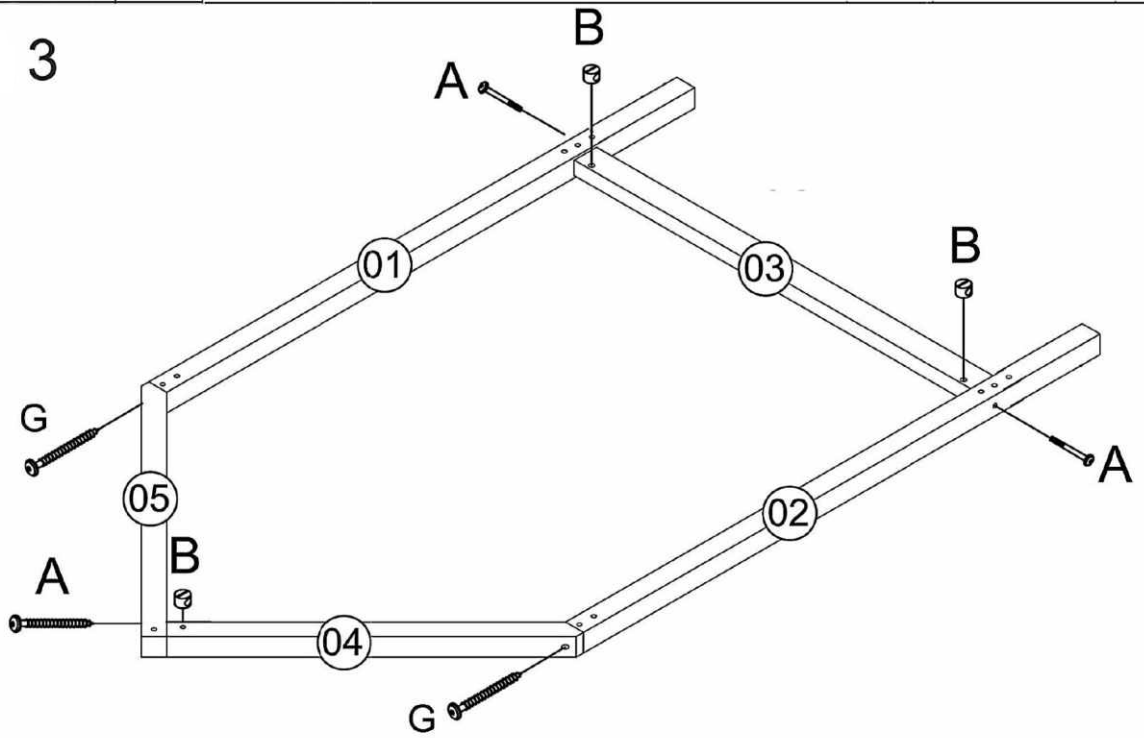




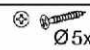
2



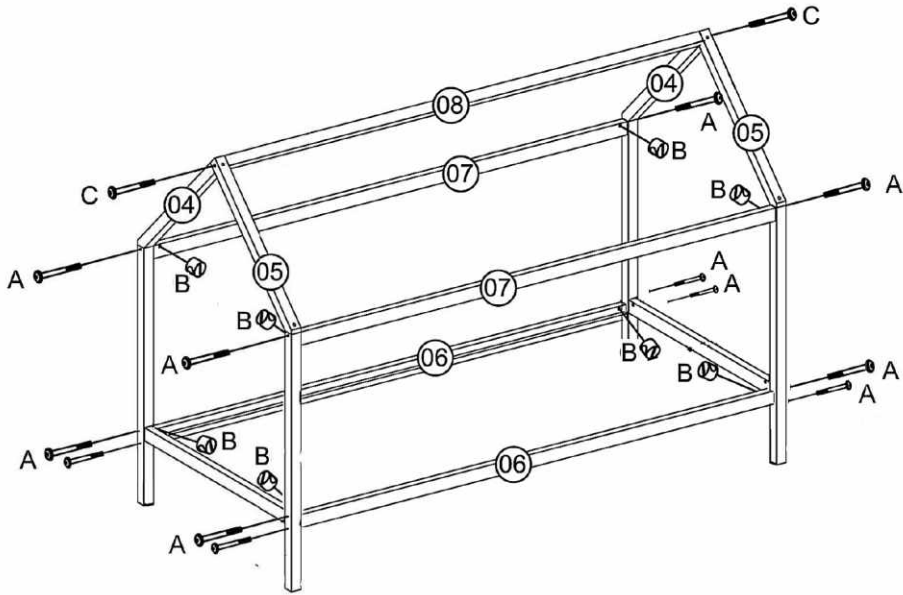
A	 M6x80mm	03
B	 M6	03
G	 Ø5x60mm	02




3



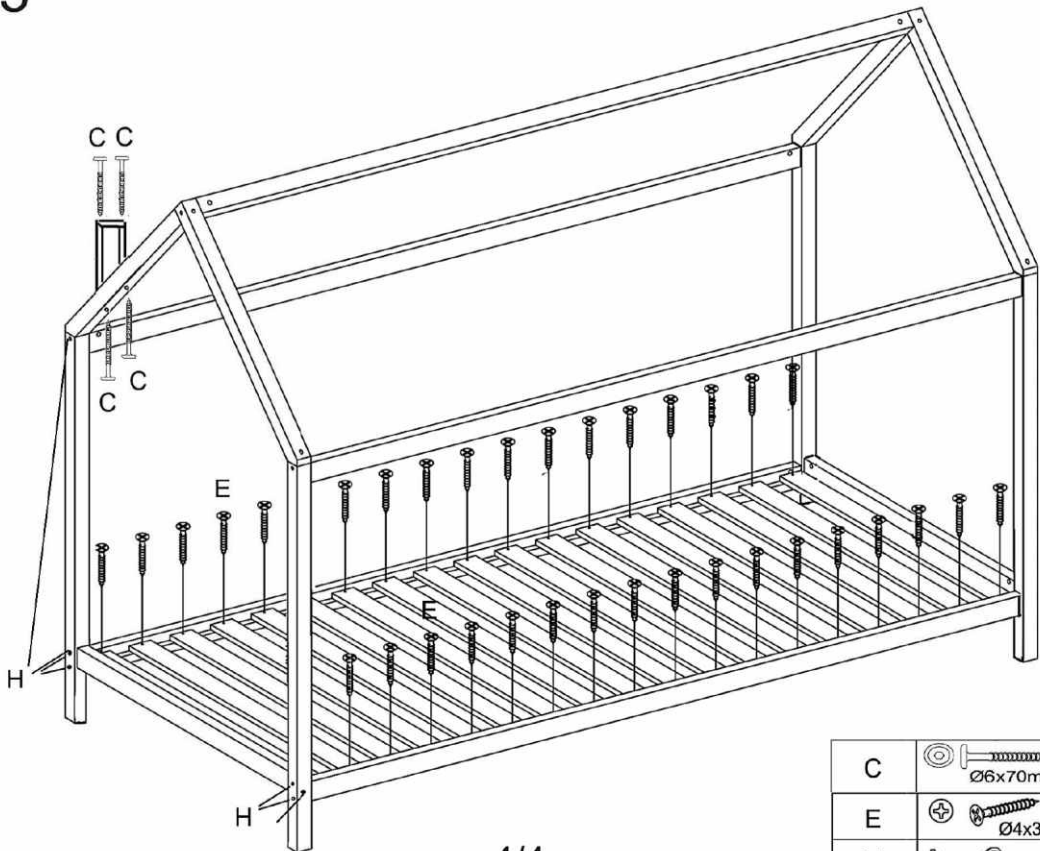
A	 M6x80mm	03
B	 M6	03
G	 Ø5x60mm	02

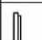
4



A	 M6x80mm	12
B	 M6	12
C	 Ø6x70mm	02

5



C	 Ø6x70mm	04
E	 Ø4x30mm	36
H	 Ø15mm	18